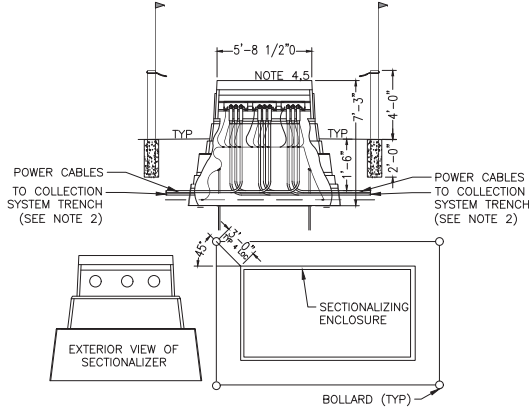


Attachment G

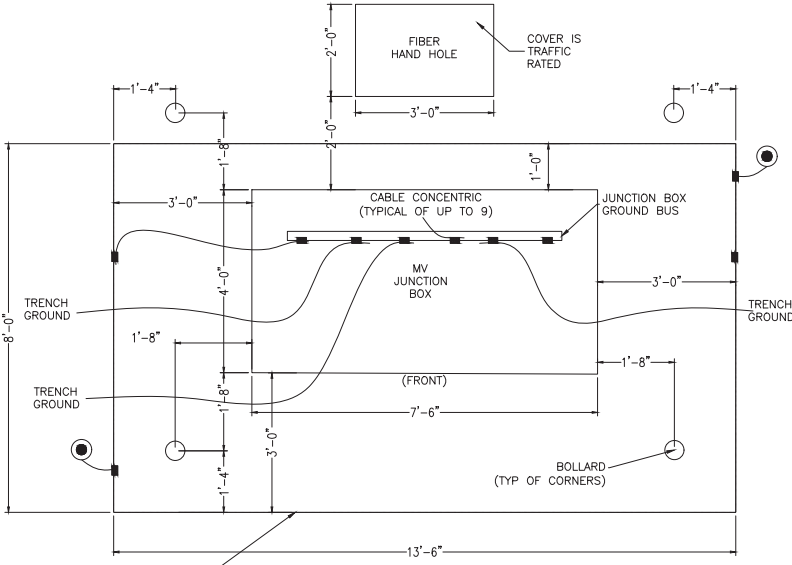
Revised Sheet PV-C.12.03

12/11/2022 10:52:02 AM

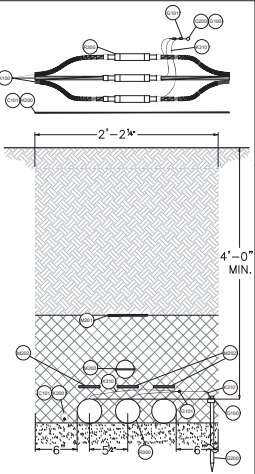
BILL OF MATERIALS		
MARK	QTY	DESCRIPTION
C101	A/R	HDPE INNER DUCT, 1.25" SDR 13.5
G100	1	GROUNDING CONNECTOR, COMPRESSION, #2 Cu TO GROUND ROD
G101	2	GROUNDING CONNECTOR, #2 AWG SOLID TO TRENCH GROUND
G200	1	GROUND ROD, 5/8" x 10' COPPER
K100	A/R	35KV CABLE PER CABLE SCHEDULE
K200	A/R	12F - FIBER OPTIC CABLE
K310	A/R	#2AWG SOLID Cu, BARE
M200	1	MARKER BALL
M201	A/R	WARNING TAPE
M202	3	PHASE MARKINGS
R300	3	SPLICE KIT, 35KV INLINE



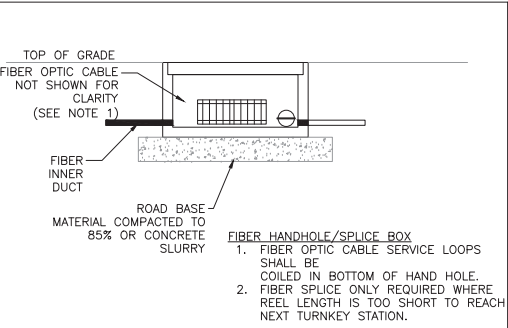
3 POWER CABLE SPLICE DETAIL
SCALE: N.T.S.



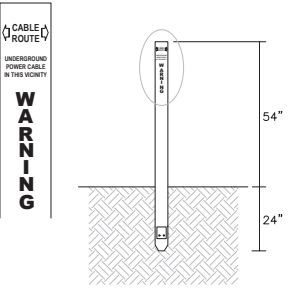
1 TYPICAL JUNCTION BOX PLAN VIEW
SCALE: N.T.S.



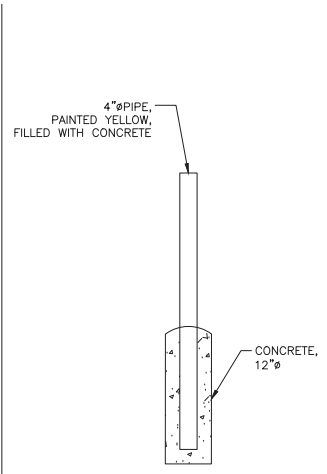
3 POWER CABLE SPLICE DETAIL
SCALE: N.T.S.



4 FIBER HANDHOLE/SPLICE BOX
SCALE: N.T.S.



5 CABLE MARKER DETAIL
SCALE: N.T.S.



2 BOLLARD DETAIL
SCALE: N.T.S.

- GENERAL NOTES:**
- INSTALL IR VIEW PORT PER INSTALLATION INSTRUCTIONS FOR FLK-CLKT, IF POSSIBLE DISPLAY TO FACE ROADWAY
 - INSTALL ONE FULL COIL OF SLACK MV CABLE FOR EACH CIRCUIT. EACH PHASE, 500 KCMIL CABLE SHALL BE COILED INSIDE JUNCTION BOX, 750 KCMIL AND LARGER CABLE SHALL BE COILED OUTSIDE OF JUNCTION BOX, PROVIDE 3M 1422-XR/ID BALL MARKER. INSTALL NO DEEPER THAN 5'-0" AT EACH LOOP. AT THESE LOCATIONS PROVIDE A CONDUIT PAVEWAY/RACK TO HELP PULL IN SLACK CABLE.
 - ATTACH LABELS TO EACH CONDUCTOR IDENTIFYING PHASING AND CIRCUIT # OF THE CABLES. PROVIDE LABELS AT ENTRY AND EXIT.
 - CABLE TERMINATIONS NEAREST TO SUBSTATION SHALL HAVE SINGLE WRAP PHASING TAPE, SIDE AWAY FROM SUBSTATION SHALL HAVE DOUBLE WRAP PHASING TAPE.
 - THE FOLLOWING TAPE SHALL BE USED FOR PHASE INDICATION: RED TAPE FOR PHASE A, WHITE TAPE FOR PHASE B, AND BLUE FOR PHASE C.
 - FINISHED GRADE SHALL BE 2" ABOVE WHERE JUNCTION BOX SECTIONALIZER ATTACH.



249 Western Avenue
Augusta, ME 04330

KEY PLAN:

Kevin Martin

REVISIONS:		
NO.	DATE	DESCRIPTION
3	1/21/2022	ISSUED FOR PERMIT

PROJECT TITLE:

RIVERSIDE SOLAR PROJECT

PROJECT LOCATION:

TOWNS OF LYME & BROWNVILLE
JEFFERSON CO., NY

SHEET TITLE & DESCRIPTION:

SYSTEM SECTIONALIZING ENCLOSURE

PROJ. NUM.	422208
DES.	A. SILVA
DWN.	A. SILVA
CHK.	A. GROSHEV
APV.	K. MARTIN
DATE:	1/21/2022
SCALE AT 22" x 34"	

NTS
SHEET NO. PV-C.12.03 REV. 3

12/11/2022 10:52:02 AM