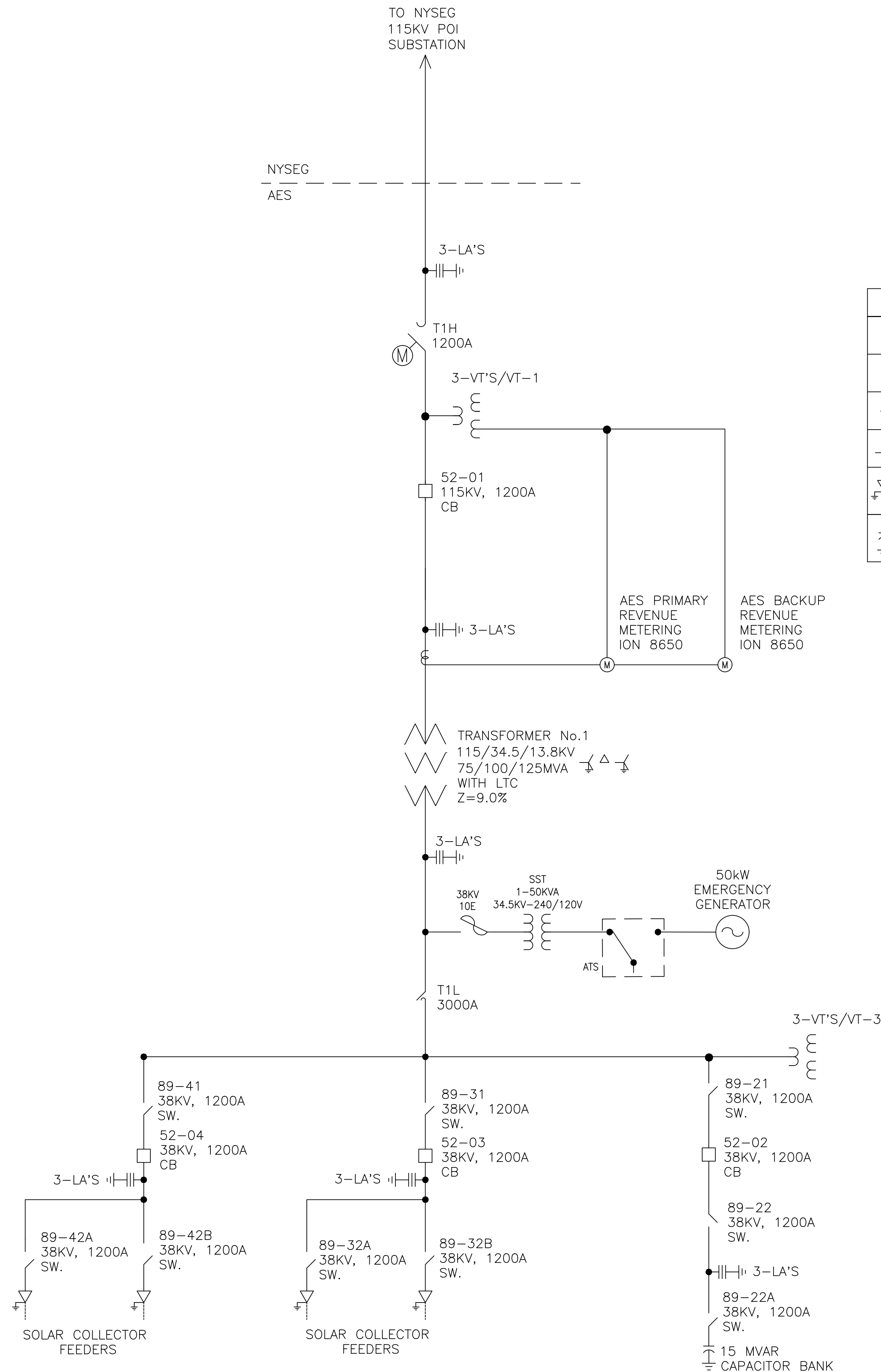
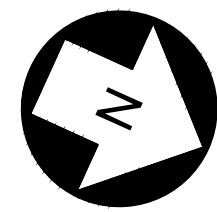


Appendix 20-1

## **Proposed Collection Substation**

AES Titleblock 2/20/24 12/10/19



LEGEND OF SYMBOLS:


# aes

2180 South 1300 East, Suite 600  
Salt Lake City, UT 84108-2749  
(801) 679-3500

# TRC

249 Western Avenue  
Augusta, ME 04330

PE STAMP:



KEY PLAN:

REVISIONS:

NO.	DATE	DESCRIPTION
0	01/14/2022	DESIGN DRAWINGS

PROJECT TITLE:

**BROOKSIDE SOLAR  
COLLECTION  
SUBSTATION  
115KV-34.5KV**

PROJECT LOCATION:

**TOWNS OF BURKE AND  
CHATEAUGAY, NY**

SHEET TITLE & DESCRIPTION:

**COLLECTION  
SUBSTATION**

**SWITCHING  
ONE-LINE DIAGRAM**

PROJ NUM: 422299

DES: D. FARRELL

DWN: D. FARRELL

CHK: C. PASCALE

APV: C. PASCALE

DATE: 04/02/2021

SCALE AT 22" x 34":

NONE

SHEET NO:

HV-E.02.01

REV:

0



**PRELIMINARY**  
NOT FOR CONSTRUCTION

UNDER NEW YORK STATE EDUCATION LAW ARTICLE 145 (ENGINEERING), SECTION 7209 (2), IT IS A VIOLATION OF THE LAW FOR ANY PERSON, UNLESS ACTING UNDER THE DIRECTION OF A LICENSED PROFESSIONAL ENGINEER, TO ALTER THIS DOCUMENT.

PLOTTED: 1/14/2022 2:37 PM  
C:\Users\jpascale\OneDrive\Documents\AES\HV-E.02.01 - AC SINGLE LINE.dwg