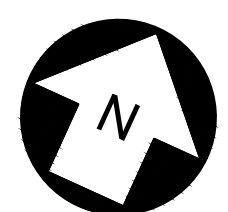
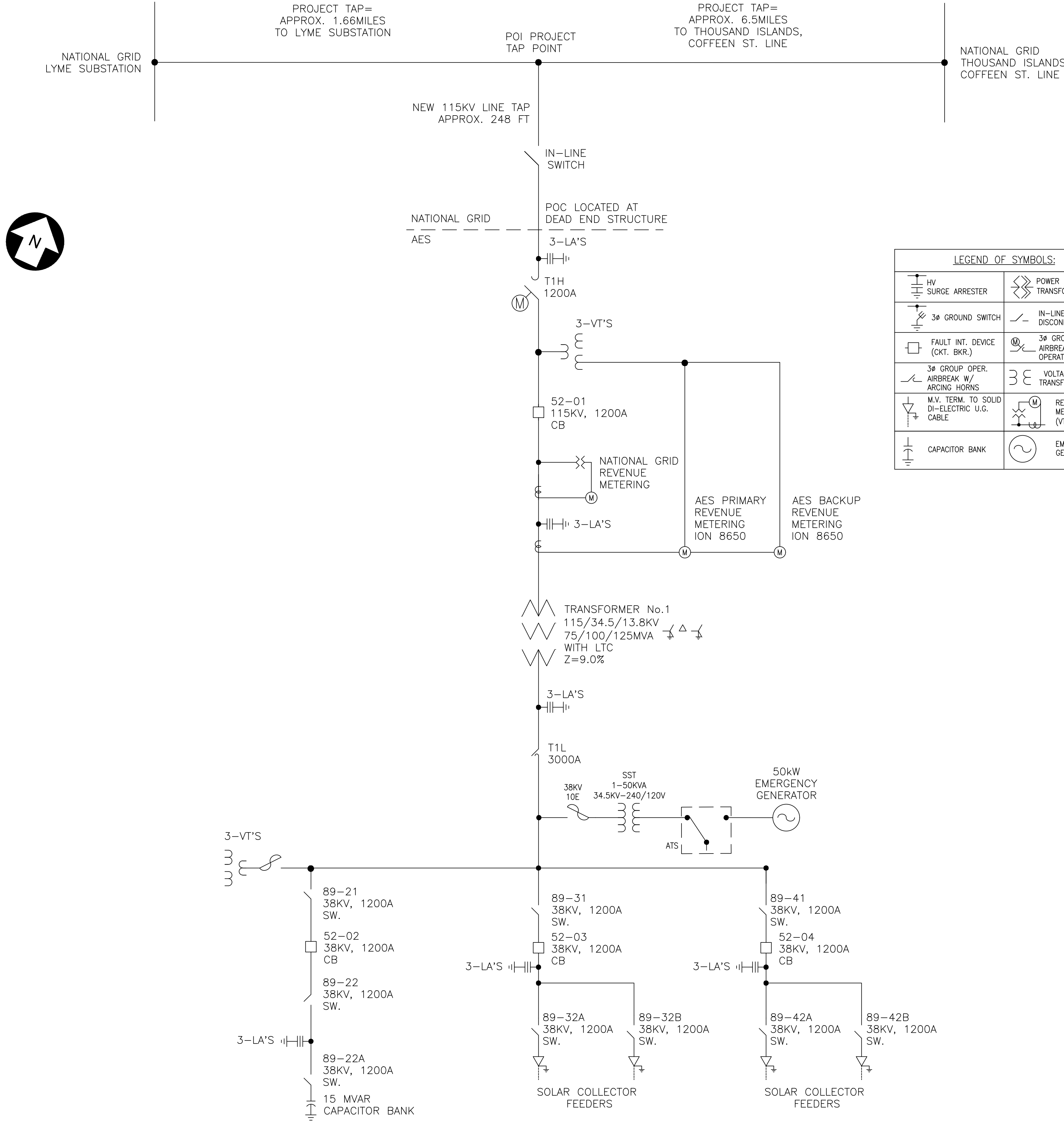


Appendix 20-1

Proposed Collection Substation

EXHIBIT 20-1, PROPOSED RIVERSIDE SOLAR COLLECTION SUBSTATION

AES Titleblock 2/23/24 12:03:19



LEGEND OF SYMBOLS:



PE STAMP:



KEY PLAN:

REVISIONS:

NO.	DATE	DESCRIPTION
1	08/05/2021	ISSUED FOR PERMIT
2	09/10/2021	ISSUED FOR PERMIT

PROJECT TITLE:

RIVERSIDE SOLAR COLLECTION SUBSTATION
115KV-34.5KV

PROJECT LOCATION:

TOWNS OF LYME & BROWNVILLE
JEFFERSON CO., NY

SHEET TITLE & DESCRIPTION:

SWITCHING
ONE - LINE DIAGRAM

PROJ NUM:	422208
DES:	D. FARRELL
DWN:	D. FARRELL
CHK:	C. PASCALE
APV:	C. PASCALE
DATE:	03/22/2021
SCALE AT 22" x 34":	NONE



PRELIMINARY
NOT FOR CONSTRUCTION

UNDER NEW YORK STATE EDUCATION LAW ARTICLE 145 (ENGINEERING), SECTION 7209 (2), IT IS A VIOLATION OF THE LAW FOR ANY PERSON, UNLESS ACTING UNDER THE DIRECTION OF A LICENSED PROFESSIONAL ENGINEER, TO ALTER THIS DOCUMENT.

SHEET NO:	HV-E.02.01	REV:	2
-----------	------------	------	---